



# WEATHER-RESISTANT INTERCOM STATIONS WITH CALL ORIGATION

**WPVT-SN Series**  
**WPVT-FN Series**



**WPVT-FN**



**WPVT-SN**

## FEATURES

- Environment-resistant paging and intercom stations for outdoor installation include weatherproof call/signal origination switch
- Loudspeaker provides clear and consistent voice and signal transmission
- Power handling selection of 15 and 2 watt models includes optional 25 volt transformer to meet various functional and transmission requirements
- Proven performance reliability of the patented VT Series environment-resistant compression driver
- Available in flush, semi-recessed, and surface-mounting configurations

## APPLICATION

Weather-resistant paging, intercom and signaling stations include protected call switch to provide call/signal origination in outdoor applications. Typical installations include guard stations, secured exit and entry ways, perimeter-controlled access doors, garages, educational buildings, recreational facilities, transportation terminals, drive-through services, parking facilities, gates, and wherever environment-resistant loudspeakers with signaling capability are a functional and safety consideration.

## GENERAL DESCRIPTION

**WPVT-FN/WPVT-SN** Series are flush- and surface-mounting, weather-resistant, electro-acoustic signaling devices respectively. They are ruggedly constructed to withstand moisture, corrosion, dust, vibration, and temperature extremes from -30° to 150° F.

Stations include high-intelligibility, environment-resistant compression driver, choice of semi-recessed enclosure or flush face plate, a variety of mounting accessories, and a weather-resistant call button for protected call-in signalling capability. Stations are available in 15 or 2 watt versions with optional 25 volt transformer. The 8 ohm compression driver is the patented VT Series model with water-sealed, die-cast zinc construction and integral, exponential sound projector to provide clear audibility. Call switch is a momentary-action, heavy-duty push button with a contact rating of 3 amps. The call button has a SPDT-type switch which is protected by a weather-resistant rubber boot to provide durable and safe operation in outdoor and high humidity environments.

**WPVT-SN** Series are compact assemblies size 4 1/4" SQ x 3 5/8" D (108 x 79mm) which are designed for semi-recessed installation. **WPVT-FN** Series are attractively designed face plates size 6" SQ x 3 5/8" D (152 x 81mm) for flush installations. Both styles will accept a variety of mounting accessories to meet varying installation requirements (see back page). Enclosures and face plate are die-cast construction finished in neutral grey epoxy.

## ARCHITECT AND ENGINEER SPECIFICATIONS

Environment-resistant paging and intercom loudspeaker(s) shall be Atlas Sound Model(s) \_\_\_\_\_ (WPVT-SN, WPVT-FN) or approved equal. Station(s) shall be comprised of an 8 ohm, water-sealed environment-resistant compression driver in die-cast zinc housing mounted to a semi-recessed mounting enclosure or a flush mounting face plate of die cast construction. Assembly shall incorporate a heavy duty SPDT-type action push button switch with a contact rating of 3 amps. Switch shall be protected by a weather-resistant rubber boot. Assembly shall withstand moisture, corrosion, dust, vibration and temperature extremes of 150° to -30° F. Power rating shall be 15 watts (2 watts) and shall include a 25 volt transformer with 2 and 1 watt taps. Frequency response range shall be 600-5500kHz. Sensitivity of microphone shall be a minimum of -26dBm. Mounting accessories shall include Atlas Sound model SEN, SIN, SFPN, FP, AR, or MR as specified or shown on blueprints.

MODEL*	POWER RATING	XFMR	POWER TAPS	SPL**	FREQUENCY RESPONSE	SENSITIVITY AS MICROPHONE	WEIGHT
<b>WPVT-1(SN)(FN)</b>	15 Watts, 8 Ohms	—	—	102dBA	600-5500Hz	-26dBm	3.25 lbs. (1.5kg.)
<b>WPVT-4(SN)(FN)</b>	15 Watts, 25V	25 Volts	15, 8, 4, 2	102dBA			3.25 lbs. (1.5kg.)
<b>WPVT-6(SN)(FN)</b>	2 Watts, 25V	25 Volts	2 and 1	93dBA			3 lbs. (1.4kg.)

\* SN suffix denotes surface mounting style; FN denotes flush. \*\* Measured from 10 ft. at rated power.

*Specifications subject to change without notice*

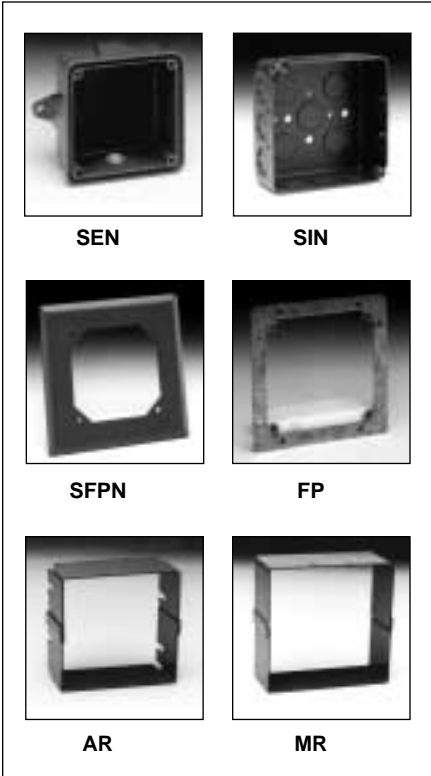


1601 JACK MCKAY BLVD. / ENNIS, TEXAS 75119 U.S.A.  
TELEPHONE: (800) 876-3333 / FAX (800) 765-3435

**AtlasSound.com**

**EIGHT**

**351**



**OPTIONAL MOUNTING ACCESSORIES**

**SEN.** Weather-resistant backbox allows for outdoor installation of semi-recessed loudspeaker station Model WPVT-SN. Housing is die-cast zinc with neutral grey epoxy finish and measures 4 1/4" SQ. x 2"D (108 x 51mm). Unit is tapped for 1/2" (13mm) conduit and includes weather-resistant gasket. Weight is .75 lbs (.35 kg).

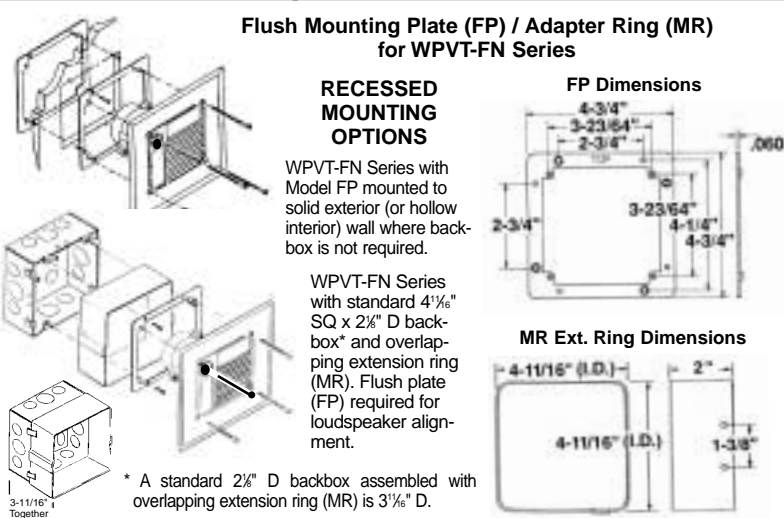
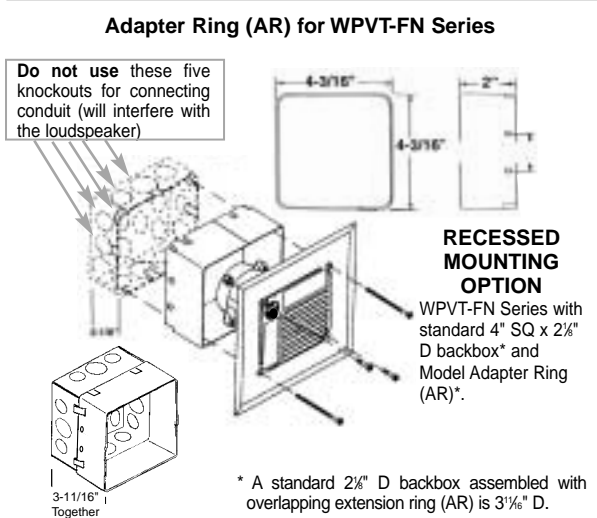
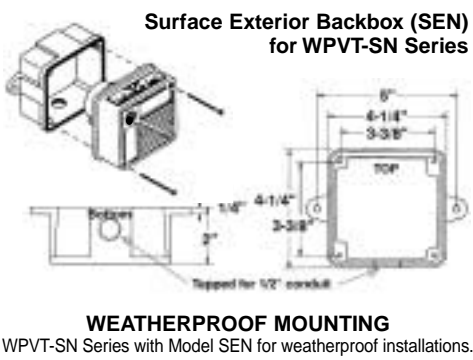
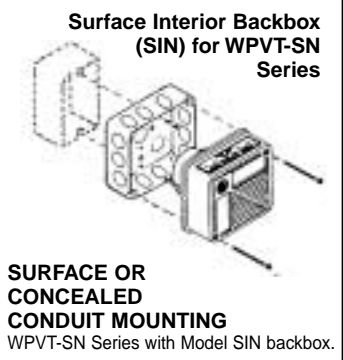
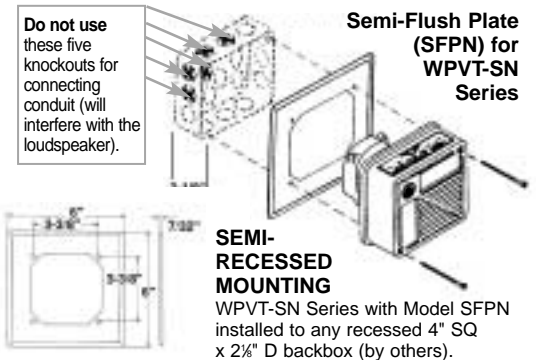
**SIN.** Backbox for surface installation of Model WPVT-SN is designed for indoor applications where a high-efficiency intercom station with call origination is required. Backbox mounts to any recessed single or double gang backbox designed for concealed conduit installation. CRS unit measures 4" SQ. x 1 1/2"D (102 x 38mm) and includes 1/2" (13mm) knockouts. Weight is .7 lbs (.3kg). Finish is neutral grey epoxy.

**SFPN.** Semi-flush adapter plate size 6" SQ (152mm) mounts behind semi-recessed intercom station Model WPVT-SN to cover a recessed 4" SQ x 2 1/2"D (102 x 54mm) outlet box. CRS wall plate is stamped and painted. Weight is .5 lbs (.2 kg). Finish is neutral grey epoxy.

**FP.** Flush adapter plate allows recessed installation of WPVT-FN Series loudspeakers to a standard backbox size 4 1/8" SQ x 1 1/2"D (119 x 38mm) or to a solid exterior or hollow interior wall surface where a backbox is not required. Weight is .4 lbs (.18kg). Adapter is stamped CRS construction.

**AR.** Adapter ring provides necessary extension for recessing WPVT-FN Series loudspeakers to any 4" SQ. x 2 1/2"D (102 x 54mm) E.O. Box. Welded steel collar is 2" (51mm) deep (3 1/8" deep when assembled and will fit a standard 4" stud wall). Assembly includes four S-clips. Weight is .6 lbs (.27 kg). Finished in neutral grey.

**MR.** Mounting ring provides the necessary extension for recessing WPVT-FN Series loudspeakers to any 4 1/8" SQ. x 2 1/2"D (119 x 57mm). The backbox is 2" (51mm) deep and includes clips. Weight is .7 lbs (.3 kg). Steel ring is finished in neutral grey.



*Specifications subject to change without notice*



1601 JACK MCKAY BLVD. / ENNIS, TEXAS 75119 U.S.A.  
TELEPHONE: (800) 876-3333 / FAX (800) 765-3435

**AtlasSound.com**